

# Metalu 400

PORTABLE BATTERY LIFT

ascensoracuático

**METALU**<sup>®</sup>  
poollift.com.es



Portable Battery Lift.

**No installation is required**, so it can be used anywhere in the swimming pool, in different pools on the same enclosure or stored when it is not in use.

## GENERAL CHARACTERISTICS METALU 400

PORTABLE BATTERY LIFT

■ Officially approved to lift 120 or 150 Kgs.

■ Metallic device with electric mechanism (24 V.)

Composed of:

■ Base platform with counterweights and 4 wheels, 2 of them swivel.

■ Safety mechanisms.

■ Vertical prism.

■ Pivoting arm.

**Electric mechanism:**

24 V. electric actuator • Control box • Handheld controller  
Battery • Battery charger

■ IP 65 protection.

■ Operated from handheld controller.

■ **2 batteries + charger.**

■ Removable seat.

■ Flip up armrest.

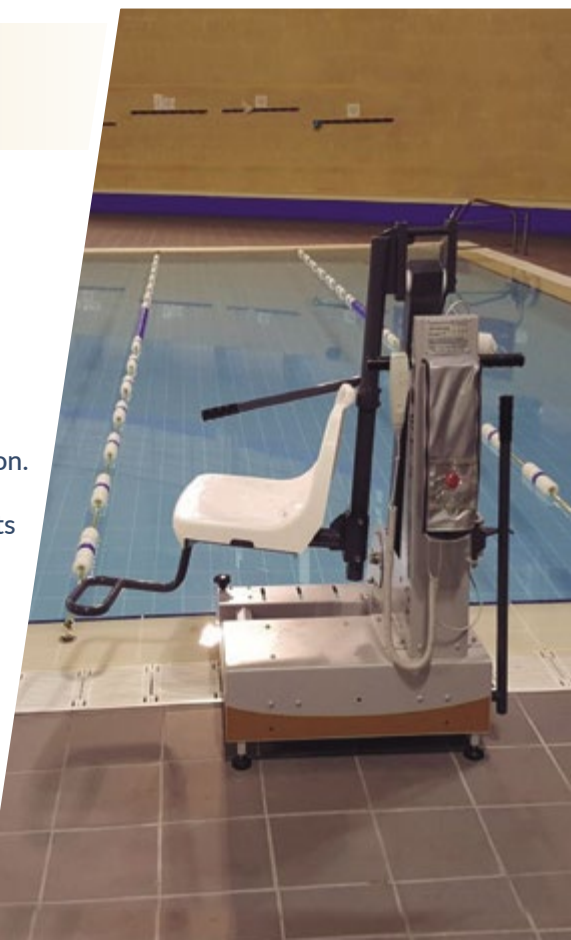
■ Footrest.

■ Made of AISI 316 stainless steel with powder paint protection.

■ Vertical seat travel:..... 1,10 Mts

### AUTONOMOUS USER

**2 years warranty on the lift. 5 years warranty on all spare parts (except batteries, which are guaranteed for 2 years).**



 Approx. 200 kg.



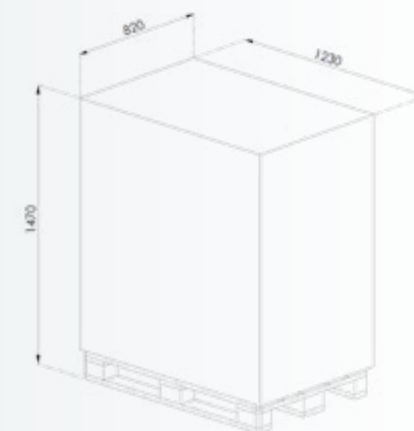
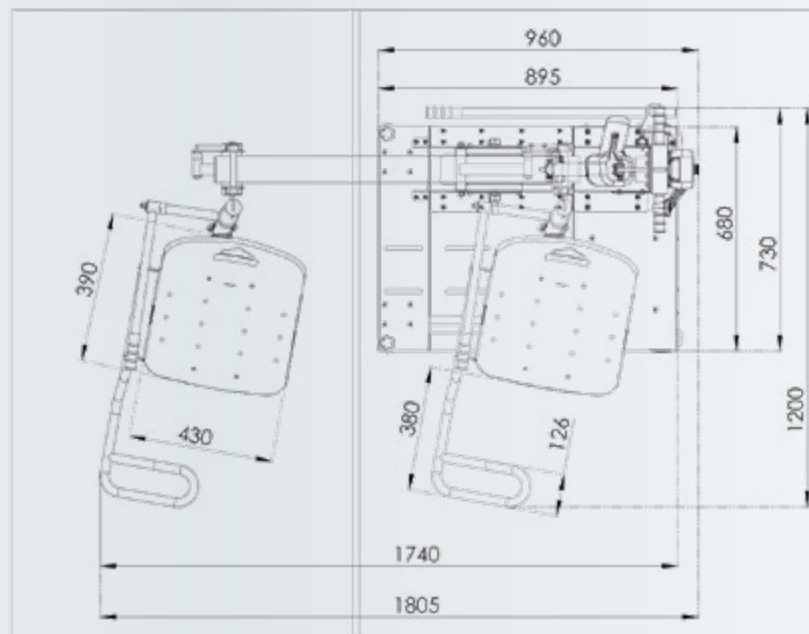
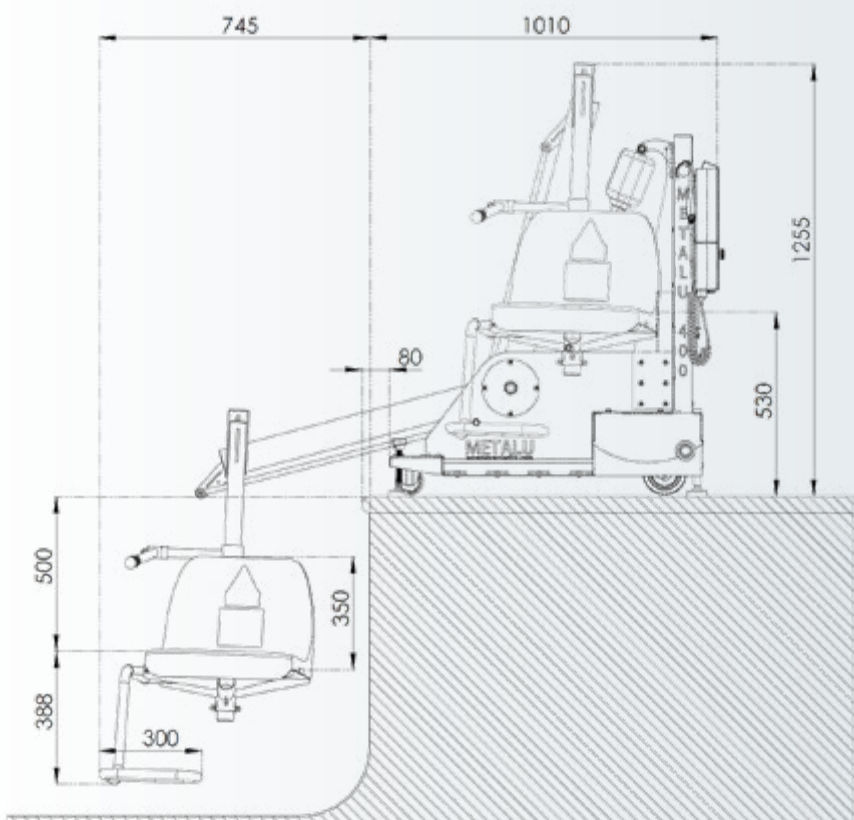
# Metalu 400 PORTABLE BATTERY LIFT

## \*BATTERY INFORMATION

- In the control box there is an indicator that shows the battery level charge.
- With a good use, the battery may have an **autonomy of 25-30 usages**  
(It is recommended not to drain the full charge of the battery: 15-20 usages)
- The charging time of the battery is about 4-5 hours.

## METALU 400 DIMENSIONS

UNITS IN MILLIMETERS [MM]

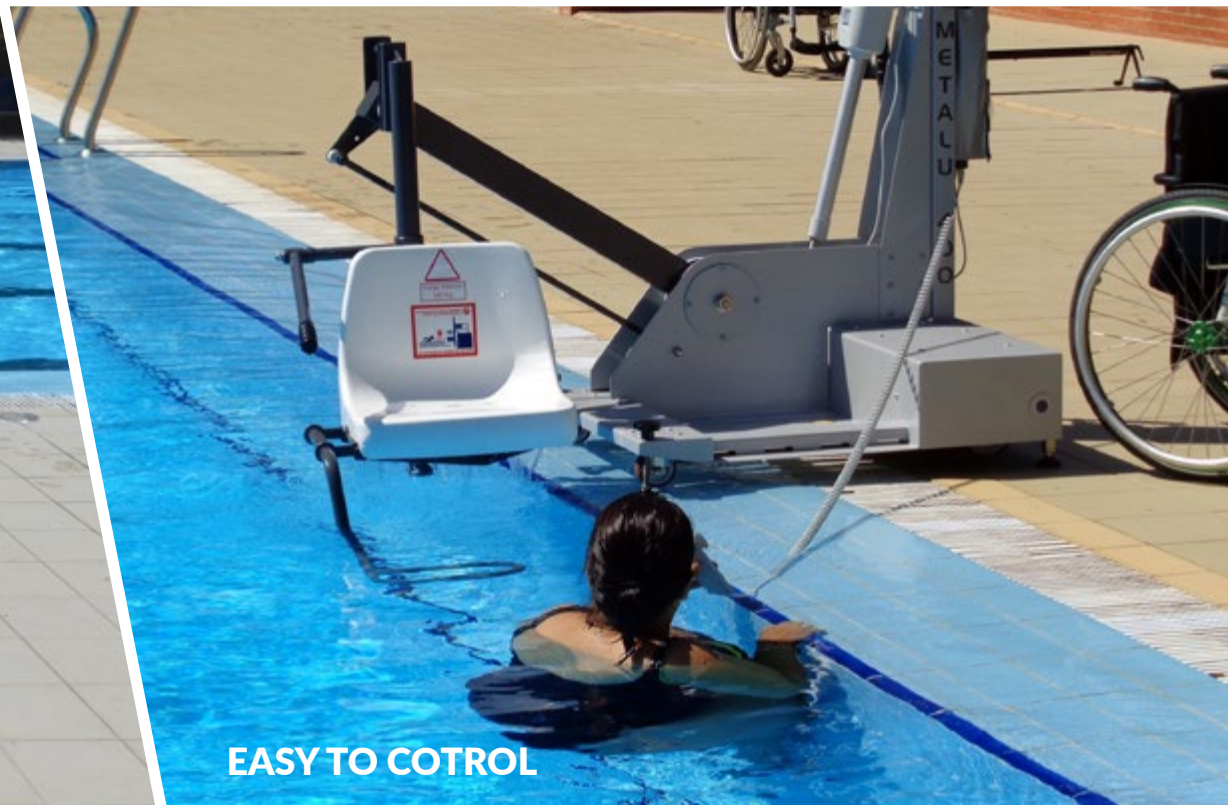


**Packaging dimensions: 1,230 x 0,820 x 1,470 Mts.**  
285 s. Metalu 400 is shipped completely ready for use.





**PORTABLE**



**EASY TO CONTROL**



**AUTONOMOUS USER**



**SAFETY**