

Pool lift: METALU S-400

Battery-powered pool lift.

Designed for in-ground pools.



METALU
ascensoracuatico.com



Manual and certificates.



ISO 9001
ISO 14001
BUREAU VERITAS
Certification





Contents

1. Manufacturer information	3
2. Functional characteristics.....	3
3. Main product standards.....	5
4. CE declaration of conformity.	6
5. Identification plate.	7
6. Warranty certificate.	7
7. Commissioning certificate.	8
8. Components in the standard package.....	9
9. Components in the delivery.....	10
10. Dimensions of the lift	12
11. Use of the lift.....	15
12. Proper use of the product and maintenance.....	16



1. Manufacturer information

Company name: Manufacturas Metálicas Luisianeras. S.L.

Address: Polígono industrial Los Motillos, C/ Madrid n.º 11 naves A, C, D, G, H, 41430.

Town/city: La Luisiana (Seville).

Tax ID: B – 41,834,508

Main telephone: +34 955 907 784

Website: www.ascensoracuatico.com

Email: info@ascensoracuatico.com

2. Functional characteristics.

The METALU S-400 pool lift is designed to help people with reduced mobility access swimming pools **independently**. It is a pool lift that **does not need to be anchored to the ground**, avoiding the need for drilling near the pool. Made of **AISI 316 stainless steel** with protective powder coating. Loading **capacity of 120 kg or 150 kg**, as needed by the user. The vertical travel of the seat is **approximately 1 metre**.





This product has the following stand-out features:

- The movement of the lift involves a **single movement** that lifts the user in or out of the water.
- The user is **fully independent**.
- The lift **does not need to be anchored to the ground**, avoiding the need to drill near the pool.
- **Allows several pools to be serviced** easily and quickly.
- It incorporates a security system to stop the lift from being used if it is not resting on its rear supports.
- The lift leaves the factory **fully assembled** and ready for use.
- **Removable seat** to prevent improper use.
- Accessories (available to order):
 - Seat belt.
 - Protective cover.

The technical characteristics of the METALU S-400 model are listed below.

Technical characteristics S-400		
Material	AISI 316 stainless steel	-
Maximum load capacity	120 or 150	kilograms
Net weight (approximate)	200	kilograms
Packaged weight (approximate)	300	kilograms
Speed of movement	Less than 0.1	m/s
Maximum vertical travel of the seat	1	metre approx.
Depth of the pool in lift area	0.90	metres
Lifting time when empty	40	seconds
Lowering time carrying a 75-kg load	45	seconds
Lowering time in seconds	38	seconds
Lowering time carrying a 75-kg load	40	seconds



3. Main product standards.

- The manufacturing and finish of the lift have the following characteristics:
 - The entire structure and accessories are made of **316 stainless steel**.
 - The finish of the metal avoids sharp edges that could **cause injuries**.
 - The nuts and bolts **do not pose any kind of risks**. Everything is put together with rounded bolts that will not scratch the user.
 - Moving parts have enough space to avoid **trapping any body parts**.
- A warning sign is included indicating the **maximum bearing weight** (120 kg or 150kg)
- The static coefficient has been considered, doubled to calculate the **mechanical strength and risk of overturning**.
- Moving parts move slowly, at **less than 0.1 m/s**, avoiding the risk of falling off the seat.
- The lift has a red **emergency stop** button on the control box, in a visible and accessible place.
- The control box has LEDs showing the **battery charge level**.
- The linear lift raising/lowering actuator has a built-in red **emergency pull cord** that allows for the lift to be lowered manually if needed.



4. CE declaration of conformity.



CE DECLARATION OF CONFORMITY

The undersigned, representing the company:

- **Company name:** Manufacturas Metálicas Luisianeras. S.L
- **Tax ID:** B - 41,834,508
- **Address:** Polígono industrial Los Motillos, C/ Madrid n.º 11 naves A, C, D, G, H, 41430.
- **Town/city:** La Luisiana (Seville).

Description of the product:

- **Model:** METALU S-400
- **Type:** Pool lift with electric lifting (24V) motion to enable people with reduced mobility to enter and exit pools.
- **Capacity:** Lifting capacity of 120 kg or 150 kg.

Provisions that the machine complies with.

The machine complies with the provisions set out in Directive 2006/42/EC of the European Parliament and of the Council of 17 May 2006 on machinery.

Harmonised rules and technical specifications used.

- **UNE-EN 61310-1:2008.** Safety of machinery. Indication, marking, and manoeuvring. Part 1: Requirements for visual, acoustic and tactile signals.
- **UNE-EN 61310-2:2008.** Safety of machinery. Indication, marking, and manoeuvring. Part 2: Requirements for marking.
- **UNE-EN ISO 12100:2012.** Safety of machinery. General principles for design. Risk assessment and risk reduction.
- **UNE-EN 547-3:1997+A1:2008.** Safety of machinery. Human body measurements. Part 3: Anthropometric data.

La Luisiana, 05 February 2013

Signed Manuel Escalera Soler.
Administrator.



5. Identification plate.

The product shall bear a legible and indelible identification plate displaying the following information:

- Name and address of the manufacturer.
- CE conformity marking.
- Year of manufacture.
- Serial no.



6. Warranty certificate.

Manufacturer: Manufacturas Metálicas Luisianeras. S.L

Product: "METALU S-400" pool lift:

<input type="radio"/> Lifting capacity 120kg	<input type="radio"/> Lifting capacity 150kg
--	--

Serial no.:

Delivery date:

General conditions:

- **Duration and scope of the warranty:** The product is guaranteed for three years against operational defects and five years against material faults (except for the batteries, which are guaranteed for 2 years)

Client information:

Client:

Address:

Contact person:

Telephone:

Company signature:



7. Commissioning certificate.

Manufacturer information:

- **Company name:** Manufacturas Metálicas Luisianeras, S.L.
- **Tax ID:** B – 41834508.
- **Address:** Polígono Industrial Los Motillos, C/ Madrid n.º 11 naves A, C, D, G, H, 41430.
- **Town/city:** La Luisiana (Seville).

Description of the product:

- **Model:** METALU S-400.
- **Type:** Pool lift with electric lifting (24V) motion to enable people with reduced mobility to enter and exit pools.
- **Capacity:** Lifting capacity of 120 kg or 150 kg.

Technical construction file approved by the Association of Technical Experts and Engineers of Seville.

This document certifies that:

1. The competent technician (Jesús León Delis, licence no. 10061) certifies the **assembly and commissioning and service of the product described above.**
2. The lift has been manufactured and assembled according to the technical design and manufacturing plan.
3. The design and manufacture has been carried out in line with current Spanish regulations on machine safety, considering the following standards: UNE-EN 61310-1-2008, UNE-EN 61310-2-2008, UNE-EN ISO 12100-2012, UNE-EN 547-3-1997+A1:2008.
4. The pool lift has CE marking, which means its design and manufacture complies with European Economic Community standards.

La Luisiana, 05 February 2013.

The competent technician:

Jesús León Delis

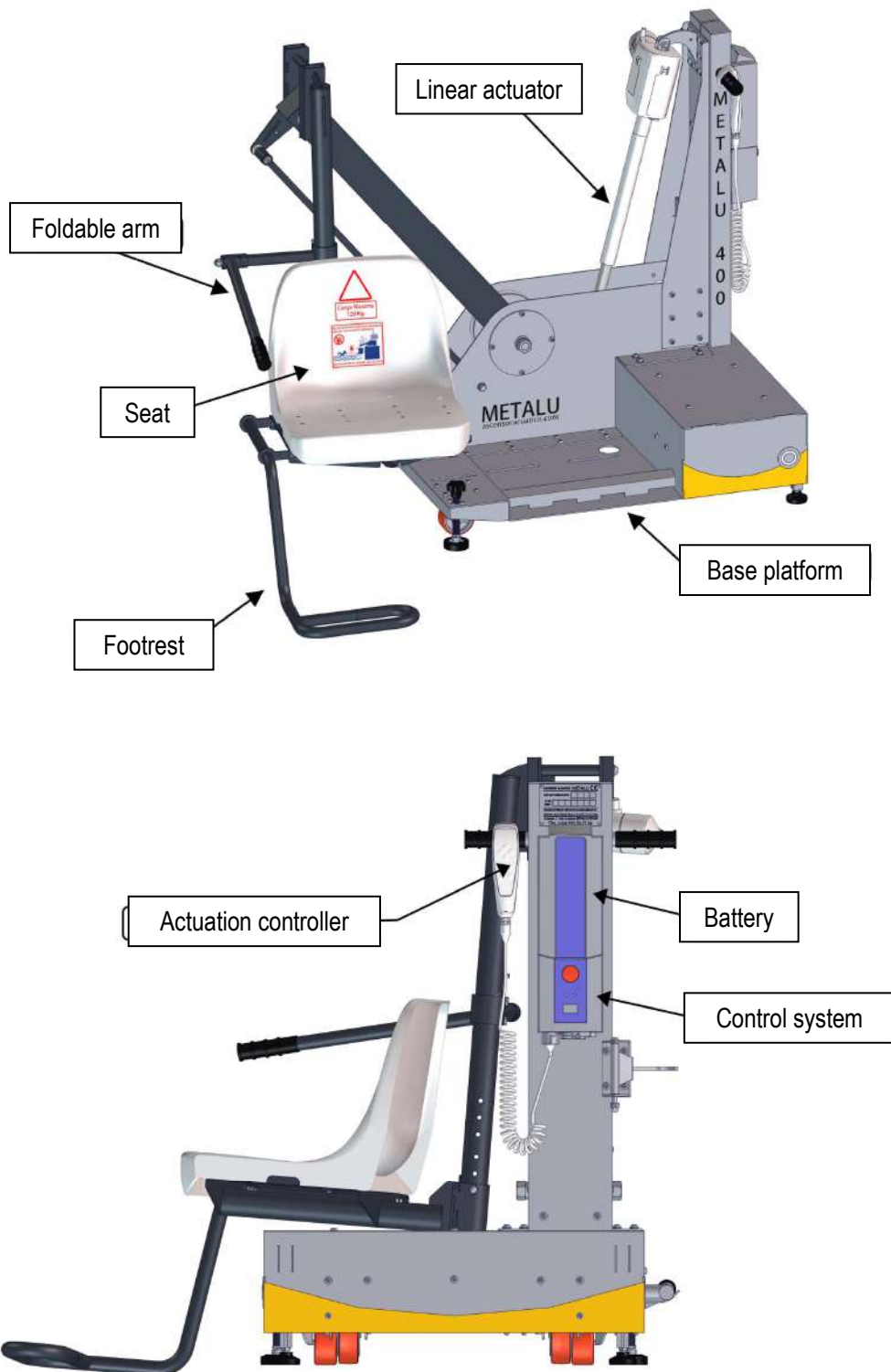
Licence no. 10061

Manufacturer:

Manuel Escalera Soler

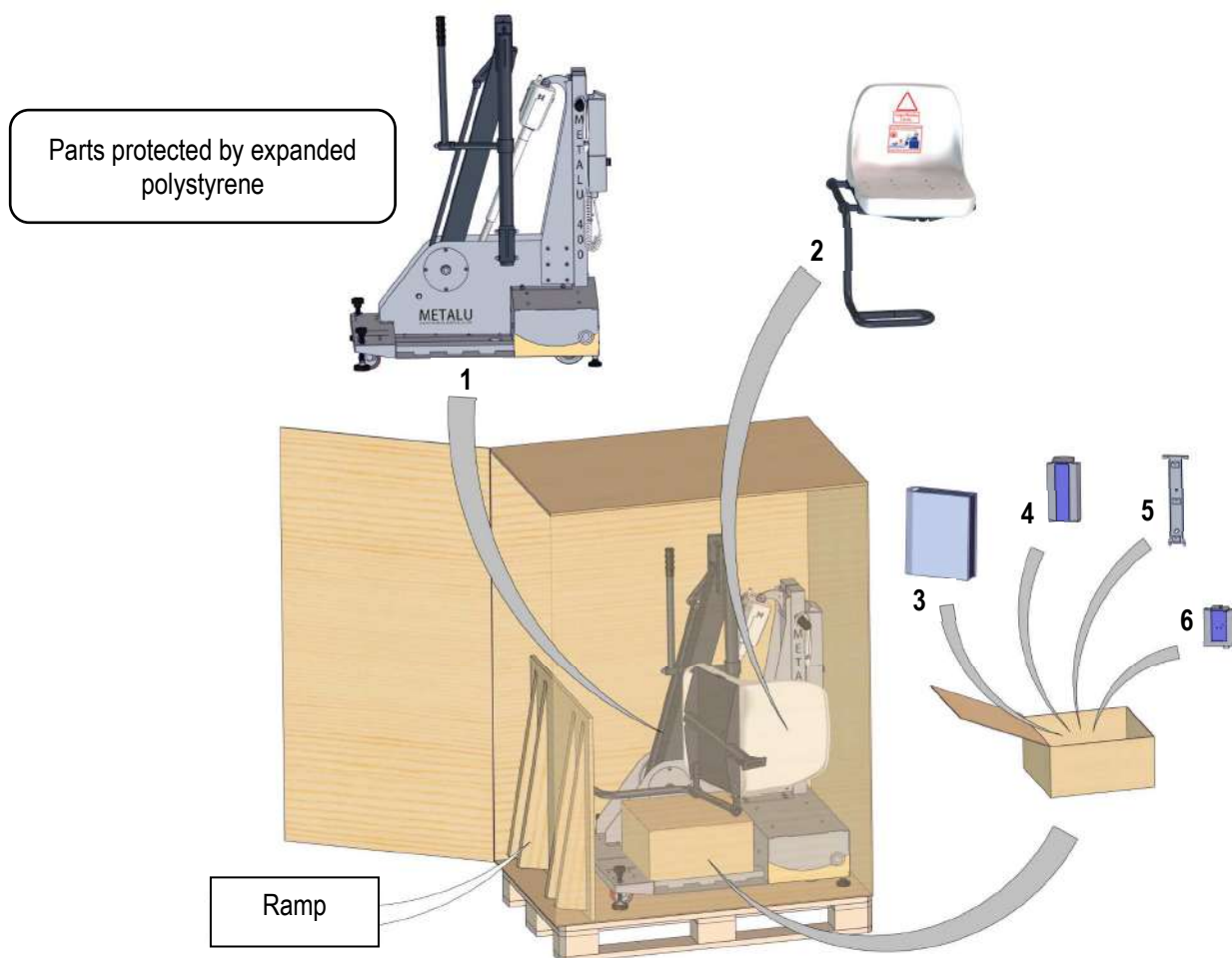
8. Components in the standard package.

The standard package for the METALU S-400 model includes the following components:



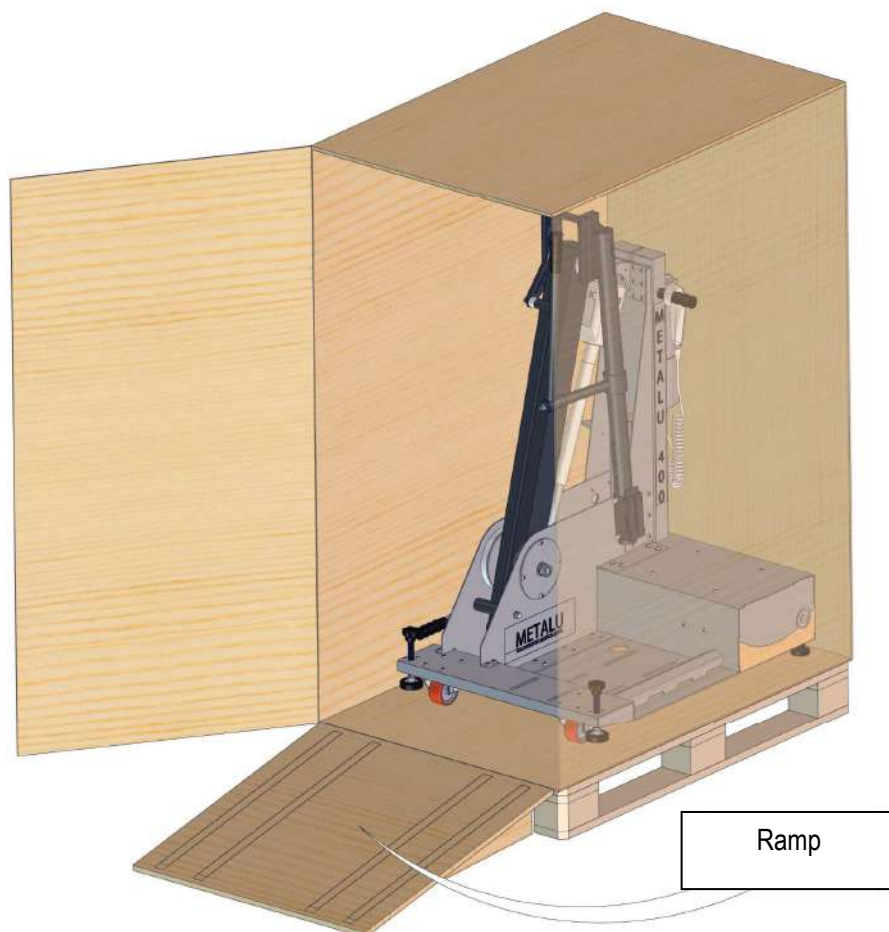
9. Components in the delivery.

Components in the delivery			
Type of order	Assembled weight [kg]	Dimensions (width x length) [mm]	Content
Standard order	300 kg approximately	European pallet: 1200 x 800 Height: 1455	1. Lift body
			2. Seat
			3. Documentation: <ul style="list-style-type: none"> • Manual and certificates. • Installation of the lift.
			4. Extra battery
			5. Battery charger support
			6. Battery charger



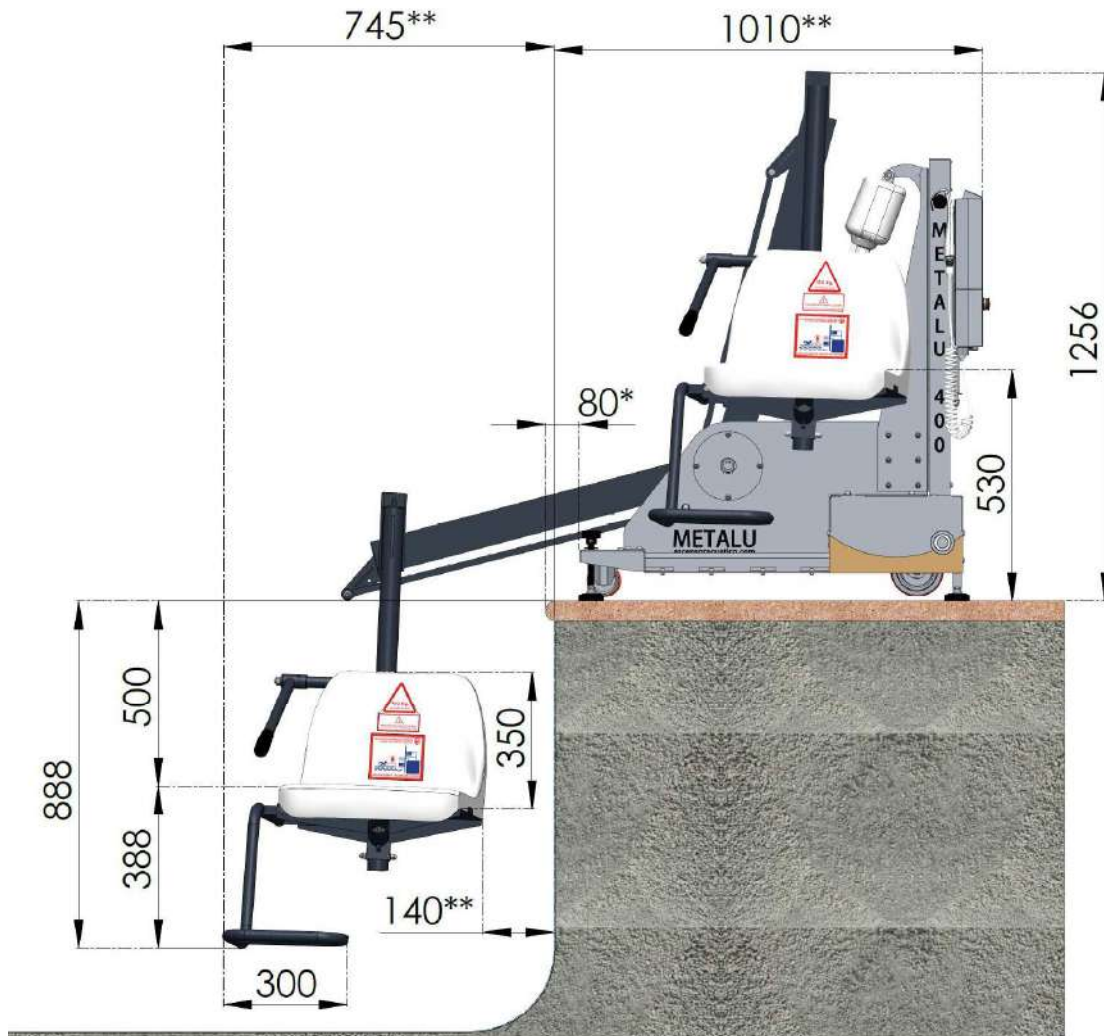


In addition, delivery includes a ramp to facilitate getting the lift out of the box in which it is packaged. Before moving the lift along the ramp, we recommend removing the seat and the packaging documentation box.



10. Dimensions of the lift

The image below shows the dimensions of the METALU S-400 lift from the profile of a standard pool with units in millimetres [mm].

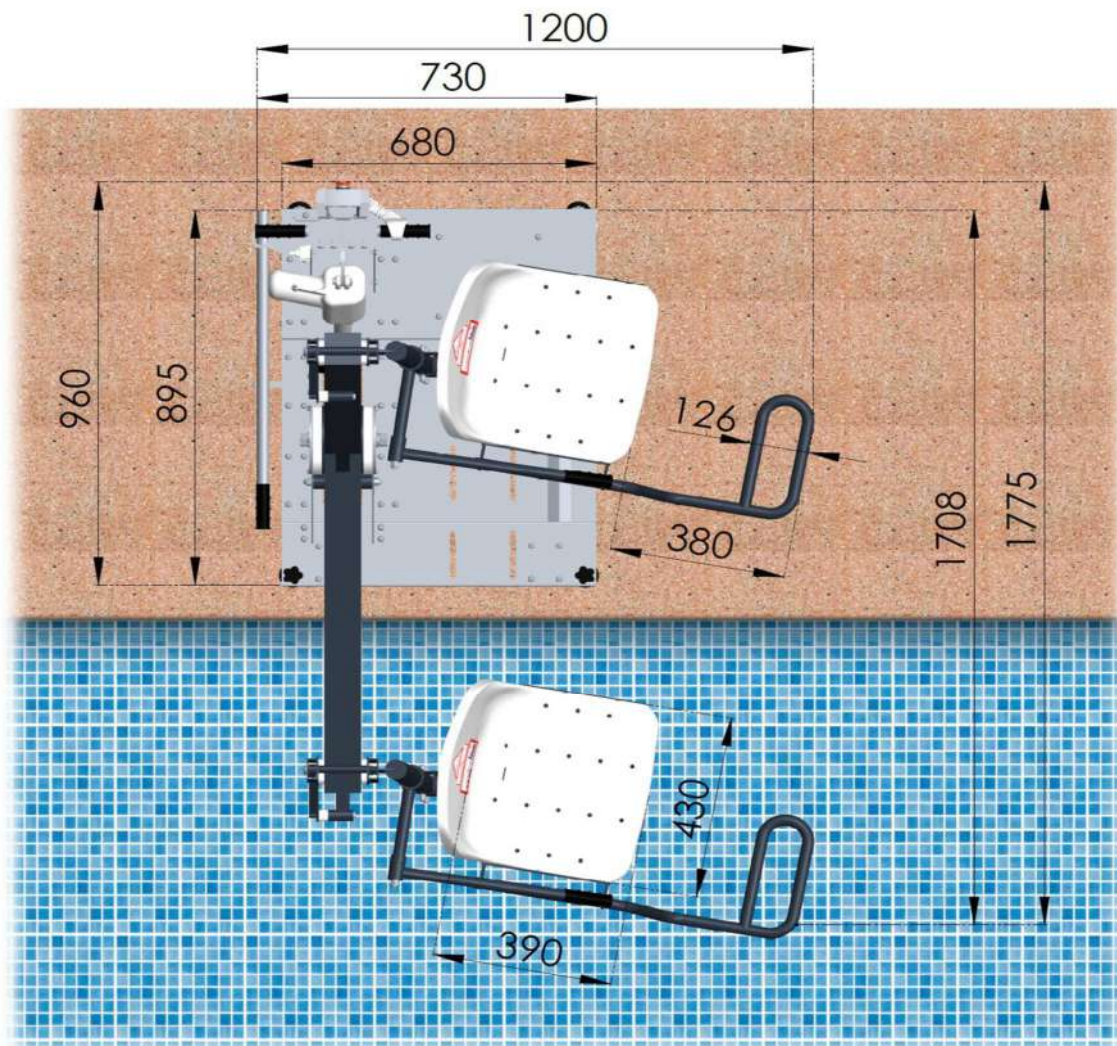


S-400 lift side view dimensions.

* The distance from the lift to the edge of the pool can range from 50 mm to 120 mm, and therefore an average of 80 mm is shown. Dimensions marked with ** depend on this value.

** The dimensions depend on the value of the dimension highlighted in the above comment (80 mm).

The image below shows the dimensions of the METALU S-400 lift in plan view for a standard pool with units in millimetres [mm].

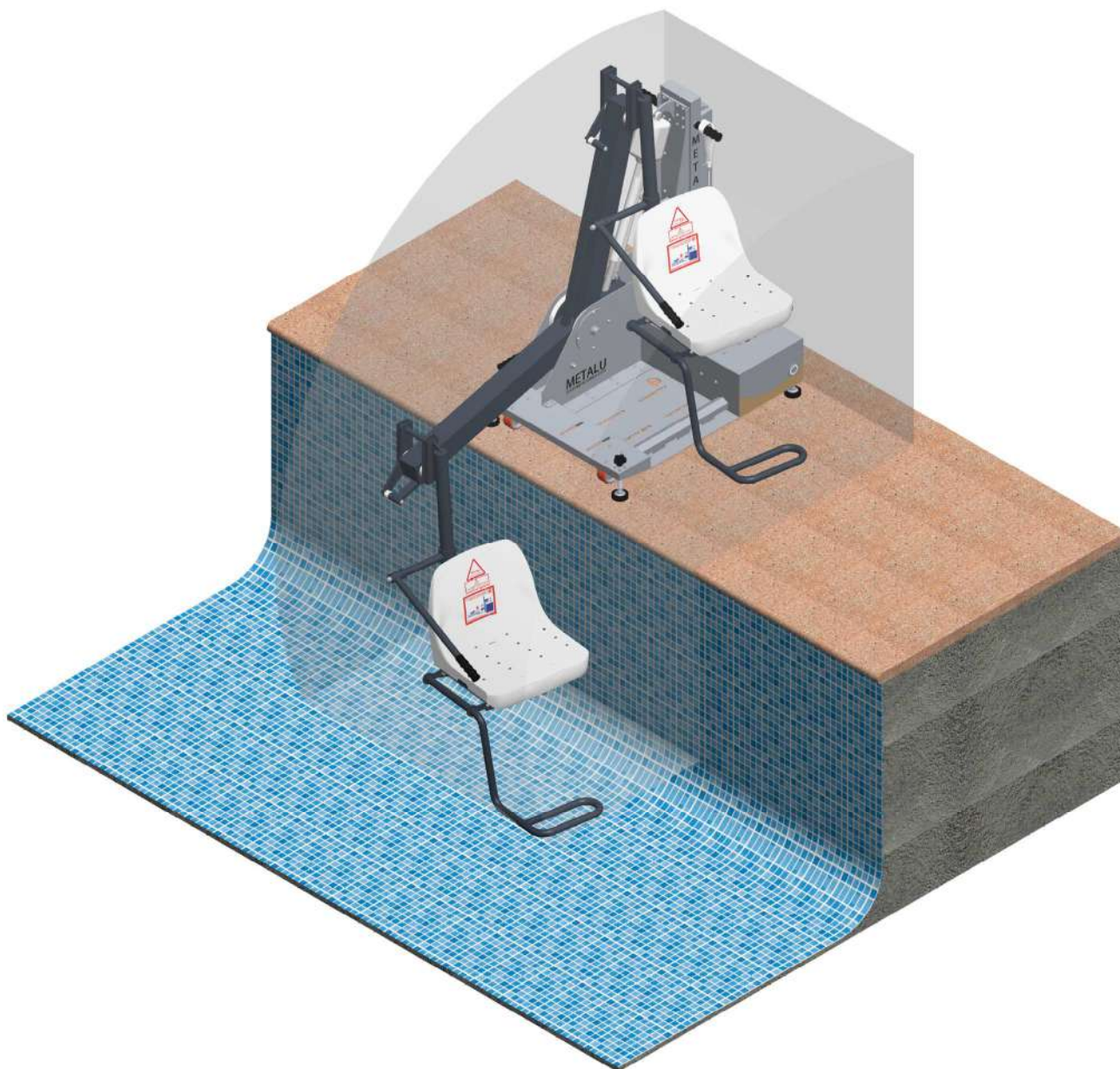


S-400 lift plan view dimensions.

The lift is designed to be easily transported and stored. To this end, the base dimensions are 730 mm, so that it can pass through a standard door (easily removing the seat).



In three-dimensional space, the critical positions of the lift are shown in the image below.

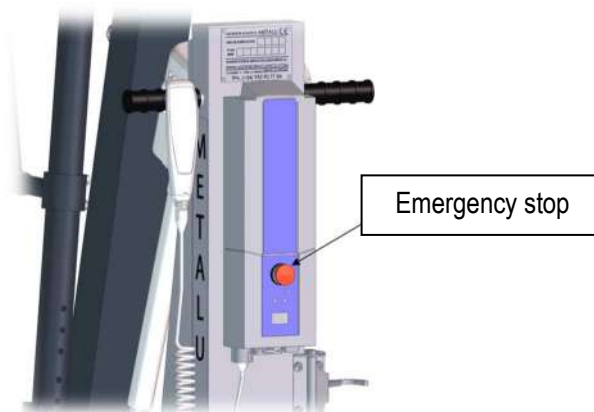


Dimensions in three-dimensional space of the S-400 lift.

11. Use of the lift.

Follow these steps to use the pool lift:

1. **Unblock the emergency stop** of the control system (24V electrical mechanism).



2. Sit on the seat and place feet on footrests.
3. Use the lift controller on your left.
4. Press the lower button on the controller for the machine to make the movement to enter the pool.

IMPORTANT: *make sure nobody is swimming under the water who could end up under the pool lift at any point during the lowering process. It is important to pay attention nobody is accidentally hit by the lift.*

5. Return the seat to the starting position by pressing the up button on the controller. This way, the lift will be outside of the pool, ready for another use. This way the seat and accessories will not get in the way of other pool users.

To exit the pool, follow steps 5 to 1 in reverse order, being mindful of the same precautions and warnings.

Movement of the lift:

- The movement of the lift involves a **single movement** that lifts the user in or out of the water.





12. Proper use of the product and maintenance.

- Preliminary considerations.
 - To use the METALU S-400 pool lift correctly, follow the instructions in this manual and be mindful of the precautions and warnings, as well as the maintenance instructions. It is the lift owner's responsibility to follow the instructions in this manual.
 - If some users need help from other people, it is important to consider how many people are needed to help them get on the seat to enter the pool.
 - If the pool lift is to be used independently by one person, without assistance, there should be a communication device nearby to allow them to ask for assistance if needed.
 - During movement or before starting the movement, all body parts of both the user and any helpers should be kept far from the lift's moving parts.
- Position of the user in the lift.
 - The user will occupy the seat, from where they can easily reach and use the controller.
 - During lifting and lowering, the person's limbs will not come into contact with parts of the lift or the edge of the pool, provided their arms are resting on the armrests and their feet are on the footrests.
 - The seat is adapted to anthropometric measurements according to European Standards.
- Proper use of the lift:
 - Use the lift responsibly. Make sure you are familiar with its functions and purpose before using it.
 - The lift must not be used without first following the set-up steps. Check the assembly and installation of the lift in the manual.
 - The lift must only be used by authorised members of the establishment.
 - When moving the lift, make sure the front supports (screw pins) are fully raised.
 - Before using the lift, the user must make sure that no person or obstacle is in the path of the moving parts of the lift.
 - Once the user is in the pool, the seat should be returned to its initial position, so that it is not an obstacle to other users in the pool.
 - The maximum carrying weight of the lift is 120kg or 150kg, as indicated on the included warning sign.
 - It is forbidden for more than one person to use the lift at once, even if they weigh less than 120 kg or 150kg together, as applicable.
 - It is forbidden to use the lift as a toy for jumping off of, etc.
 - Follow the visual instructions on the product.
 - Block the control system emergency stop as long as the lift is not in use.
- Maintenance:
 - Clean the structure with fresh water. Take care not to spray water on the 24V electrical components. Then, dry it off with a cotton cloth.
 - Dry off any water that may have splashed on the 24V components.
 - Check the battery charge level. If necessary, charge the batteries before they die (approximately 20 cycles).



- Check that all the pins are correctly inserted in the control box.
- Check that the lift works correctly.
- Regularly perform a visual check that all parts of the lift are in good condition and that all nuts and bolts are tight. If one of the pieces is worn out, do not use the lift until the part has been replaced. Perform additional inspections for indoor pools.
- Regularly clean the metal connectors of the battery, charger, and control box with a nylon scourer.
- If the lift is outside, we recommend covering it to extend the life of its components. One accessory offered by METALU is a protective cover, which we recommend using.
- If there are weeks during which the lift isn't used, we recommend operating it with a medium load (approximately 75 kg), raising and lowering it several times. This will keep the lift's components in good condition.
- During seasons of no use, store the lift in a covered area where it will not be subject to any impacts and it can be kept clean, dry, and far from any chemical products.
- During the off season or if the lift is rarely or never used, charge the batteries at least once a month, even if they are not used.

INDOOR POOLS: maintenance and especially cleaning of indoor pools must be much stricter due to the atmospheric conditions and temperatures generated.

*For more information on maintenance
visit the following link*



9 basic rules

1 METALU equipment should be installed according to the manufacturer's instructions, making all necessary queries. The installer should test the equipment after completing the installation, making sure that everything is correct.

2 According to art. 12 of Law 11/1997 on Containers, the final owner is responsible for packaging. Re-use as much as possible and dispose of the rest where appropriate for recycling.

Looking after the environment is everyone's responsibility.



3 METALU equipment should only be used by designated people at centres and by the users of the equipment.

4 Those responsible at centres should know the equipment and have read the instructions. If any questions remain after reading the instructions, contact the manufacturer at the addresses provided below.

5 Those responsible at centres shall instruct the users on how to operate the equipment.

6 Before starting up the lift, it should be ensured that the radius of action is free. While the lift is working, do not place hands or other objects on the moving parts of the lift.



Do not place any body part in the way of the lift.
DO NOT STAND IN THE RADIUS OF ACTION.

7 Cleaning the exterior is mandatory to preserve the warranty. Follow the instructions that come with the lift.



Rinse the lift daily with pressurised tap water. Clean the lift every two or three days with a damp cloth.

8 According to ITC-BT-31 of the REBT, the machine must be connected to the equipotential connection conductor that the pool must have.

9 If the holder of this document is not the end client, the holder must forward it to the end client.

MANUFACTURAS METÁLICAS LUISIANERAS, S.L.

Battery Pool Lift model METALU S-400

Manual and certificates

Address: Polígono Industrial Los Motillos, C/ Madrid n.º 11 naves A, C, D, G, H, 41430. La Luisiana (Sevilla)

Spain

CIF: B – 41834508

Phone: +34 955 907 784

Web: www.poollift.com.es

Mail: info@poollift.com.es

